

# ELEMENT 4

ELECTRIC FIRES



## INSTALLATION MANUAL

For all "Element4 - Electric Fires"



LEAVE THESE INSTRUCTIONS WITH THE DEVICE





**THIS PRODUCT IS NOT SUITED AS A PRIMARY HEAT SOURCE.**

**BEFORE INSTALLATION AND USE, READ THIS BOOKLET AND KEEP IT IN RANGE OF THE FIRE FOR POSSIBLE LATER USE.**



**Content**

<b>1 CE statement</b>	<b>6</b>
<b>2 Warranty</b>	<b>6</b>
<b>3 Important safety information</b>	<b>7</b>
<b>4 Connection</b>	<b>7</b>
<b>5 Installation method</b>	<b>8</b>
<b>6 Hollow wall installation method</b>	<b>8</b>
<b>7 Decorating the fireplace</b>	<b>10</b>
<b>8 User Instructions</b>	<b>10</b>

## 1 CE statement

We hereby declare that the design and construction of the Element4 electric appliances are complying to the essential demands and regulations for electric products.

Product:

- Electric fire

Models:

- Modore-, Bidore- and Trisore 50e
- Modore-, Bidore- and Trisore 80He
- Modore-, Bidore- and Trisore 100e
- Modore-, Bidore- and Trisore 150e
- Modore-, Bidore- and Trisore 180e

All Element4 Electric fires meet the requirements of the EC Directives. These directives have been met by compliance with the following standard

- EN 55014-1:2006 + A2:2011
- EN 55014-2:2015
- EN 61000-3-2:2014
- EN 61000-3-3:2013
- EN 60335-1:2012 + A1:2014
- EN 60335-2-30:2009+A11:2012

This declaration loses its validity when changes to the device are made without the written permission by Element4. You can ask for a copy of the test certificates of all models via our general e-mail adress, which is found on the back of this manual.



J. Kempers  
CEO

## 2 Warranty

Should this device show defects within 24 months of purchase due to shortcomings in construction, material or workmanship, the product will be repaired free of charge under the following conditions:

It is the responsibility of the buyer to prove that the device is covered by the warranty, e.g. with a proof of purchase.

Any guarantee will lapse if

- unauthorized repairs or modifications have been made to the electric fireplace
- in the event of an accident, misuse or damage caused by an incorrect installation
- damage occurred during transport to or from the repairer, and changed or missing serial numbers.

Parts replaced under this warranty will become our property.

The company is not liable for consequential damage or any other damage arising from or related to this electric fireplace.

This warranty does not apply to heating elements, lamps or fuses. Service visits where no errors are found and installation errors are not covered by the manufacturer's warranty. In this case, the maintenance technician employed by us will charge you for the service visit.

This guarantee is an addition to and does not affect the legal rights of the buyer as a consumer.

### Replacement plug

Caution: when removing the molded plug and connection to a fused tap through a unqualified person, the guarantee will lapse.

### 3 Important safety information

Please read these instructions before installation or use and keep this booklet handy for future reference

This appliance can be used by children aged from 8 years and above and persons with reduced physical, sensory or mental capabilities or lack of experience and knowledge if they have been given supervision or instruction concerning use of the appliance in a safe way and understand the hazards involved. Children shall not play with the appliance. Cleaning and user maintenance shall not be made by children without supervision

The instructions shall state that the heater must not be located immediately below a socket outlet.

#### **WARNING**

in order to avoid overheating, do not cover the heater. Children of less than 3 years should be kept away unless continuously supervised

Children aged from 3 years and less than 8 years shall only switch on/off the appliance provided that it has been placed or installed in its intended normal operating position and they have been given supervision or instruction concerning use of the appliance in a safe way and understand the hazards involved. Children aged from 3 years and less than 8 years shall not plug in, regulate and clean the appliance or perform user maintenance.

#### **CAUTION**

Some parts of this product can become very hot and cause burns. Particular attention has to be given where children and vulnerable people are present

#### **General Warnings:**

- Never leave children unsupervised with an unguarded heater.
- Never obstruct or cover the heater outlet.
- Never install or use this product where it may come in contact with water i.e. a bathroom or wet room.
- Never use aerosols or steam cleaners near this product.
- Never route the electric cable near the heater outlet.
- Never route the electric cable under carpets or floor coverings.
- Never install this product close to curtains or combustible materials.
- Never use the heater to dry clothes or other objects.
- Never remove the fireplace surrounding without isolating the electric supply.

### 4 Connection

This appliance must only be connected to a 230/240 Volts AC 50Hz supply. Before connecting the fire, check that the supply voltage is the same as stated on the fire.

This appliance must only be used on a AC supply, fuse rating 13Amp. The wires in the mains lead are coloured in accordance with a standard UK supply, these being:

- GREEN/YELLOW – EARTH
- BLUE – NEUTRAL
- BROWN – LIVE

As the colours of the mains lead of this appliance may not match the coloured markings used to identify the terminals in a plug, please observe the following

- The green and yellow wire must be connected to the terminal in the plug which is marked with the letter E or Earth symbol.
- The blue wire must be connected to the terminal in the plug which is marked with the letter N.
- The brown wire must be connected to the terminal in the plug marked with the letter L.
- Replace fuses only with fuses of the correct size and rating.

#### **Maintenance**

Maintenance to this device may only be done by a qualified professional. It is advised to maintain your fire at least once every 12 months.

#### **WARNING:**

Before repair or maintenance check whether the fire is unplugged.

#### **4.1 Important electrical safety**

This appliance must never be installed above or in front of a fixed electric socket.

The electrical socket must be easily accessible to isolate the supply during maintenance and cleaning.

This appliance is supplied with a two meter power lead, which has a 13Amp moulded three pin plug to connect to a standard 230/240V plug socket.

This appliance must always be earthed. If in any doubt consult a suitably competent person.

#### **CAUTION**

The LED light system shall be replaced by electrically competent personnel only (LP – These cannot be user replaceable since they will allow access to live parts)

## 5 Installation method

### Built in models

This product has been designed to be installed into a plaster board, or existing masonry chimney breast.

Please seek advice from a professional, with reference to the structural integrity of the installation site.

If the product is to be installed into a open chimney or flue, it is important that the chimney/flue is blocked off to prevent any up/down draughts and falling debris which could restrict and alter the airflow to the product.

It is also important to ensure that the product has a minimum internal clearance directly above and below the product of 50mm, this is to ensure that the product can circulate the required airflow for the heater unit.

The product should never be sealed into a opening with the use of silicones or adhesives as this can also alter the airflow and hinder any further servicing of the product

### Heating shut-off protection

This protection protects the product against damage.

When the air circulation is impeded, the fire is switched off automatically. This can happen with incorrect installation of the fireplace, or blockages.

### To reset the heating function:

- Remove the plug from the socket.
- Allow the product to cool.
- If the device has cooled down sufficiently, remove any blockages and check the installation.

After 10 minutes, the thermostat switch (trip protection) of the heater is reset.

### Note:

Both the effect fan and the heating fan produce a soft sound that is associated with normal operation of the stove.

## 6 Hollow wall installation method

In all Element4 fireplaces, a free space of 100mm at least 50mm must be maintained immediately above and below the main housing for good air circulation. (Failure to do so may cause problems for the heating and flame function).

Each Element4 fireplace is supplied with one or more wall mounting brackets.

Determine the height at which the finished Element4 fireplace should be positioned in relation to the floor level.

### Note:

The minimum distance to the floor is 300 mm

Attach the wall bracket to the wall, making sure that you use the correct fasteners that match the respective wall - hollow or solid.

Hang the Element4 fireplace on the bracket and secure it in place with the wall bracket at the top of the fireplace. Insert the plug of the IEC-compliant power cable into the IEC-compliant socket and ensure that it is firmly pushed.

### Note:

Place the device near a suitable socket so that it can be connected to the mains.

It is important that the outlet is located outside the installation location so that the socket is easily accessible and the plug can be disconnected from the stove after installation. After the fire is attached to the wall and connected to the socket, the surround (the chimney) can be placed around it.

Construct the hollow installation space for the electric fire in the desired dimensions. For minimum opening dimensions, see Figure 1 and Table 1. It is important that you take into account the finished front when determining the depth of the frame construction.

It is important that a header/lintel is also placed at the desired height, so that the weight of the wall made will not come to rest on the appliance.

Make the cut in the plasterboard / finishing plate and install the fireplace, making sure that the plaster board edges connect to the inside of the cut in the plate.

### CAUTION

In order to avoid a hazard due to inadvertent resetting of the thermal cut-out, this appliance must not be supplied through an external switching device, such as a timer, or connected to a circuit that is regularly switched on and off by the utility.



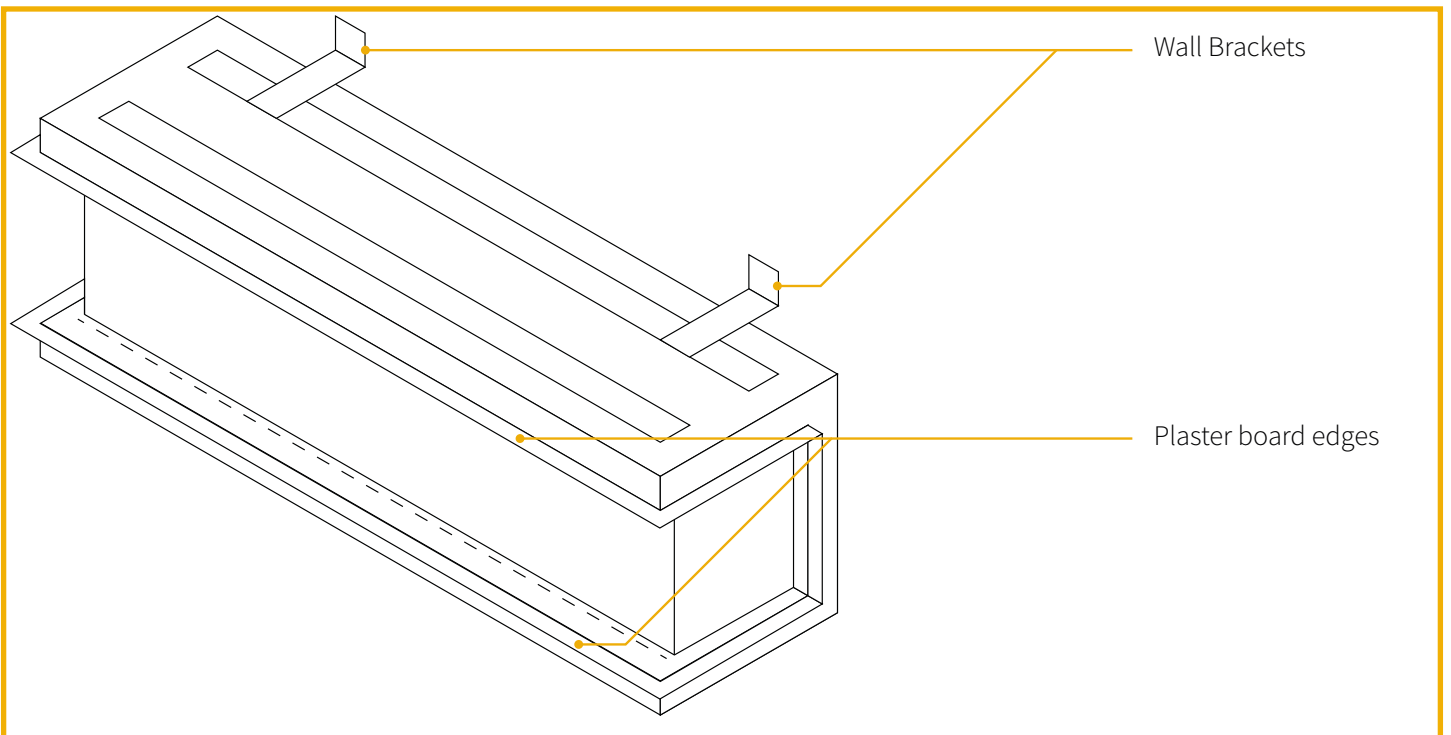
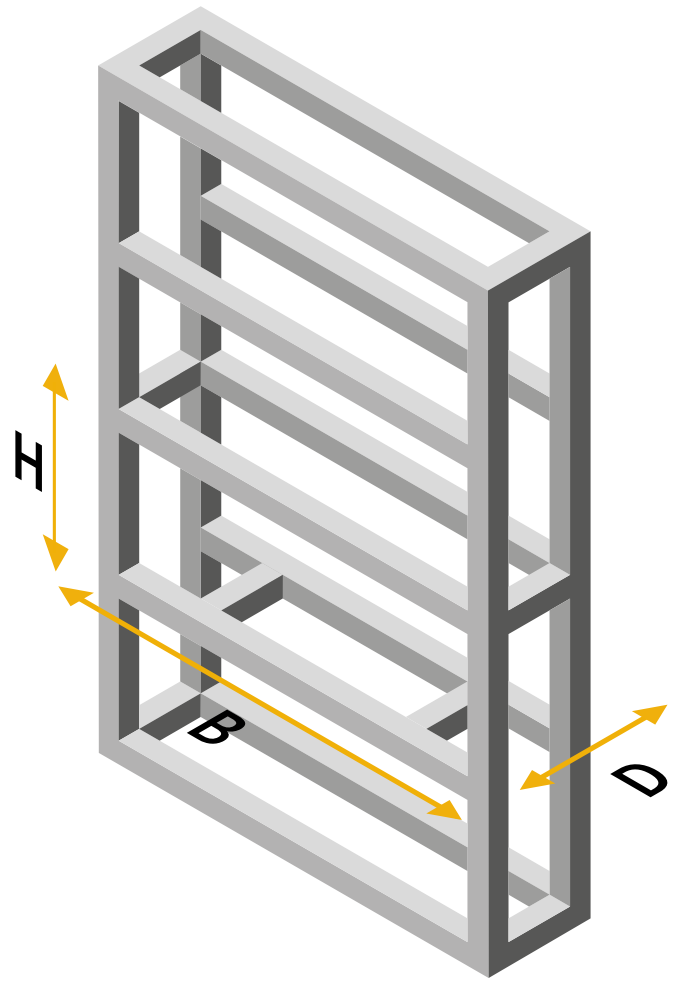
## INSTALLATION MANUAL

The minimum opening dimensions required are in the table below

Model	Width (mm)	Depth (mm)	Height (mm)
50e	530	305	610
80He	835	305	790
100e	1065	305	560
150e	1565	305	560
180e	1785	305	615

The definite opening dimensions after installation are in the table below

Model	Width (mm)	Depth (mm)	Height (mm)
50e	495	305	610
80He	802	305	590
100e	1003	305	355
150e	1505	305	355
180e	1750	305	410



## 7 Decorating the fireplace

### Removing glass front side

Follow the next steps for removing the glass front window and place the decorative logset.

1. Remove the two screws located in the bottom glass retaining bar.
2. Remove the bottom glass retaining bar.
3. Remove the glass by pulling the second retaining bar away from the body of the fire, ensure that the glass is supported at all times.

#### Suction cup

A suction cup is provided to help aid this step. Please note the suction cup is not to hold the full weight of the glass.

#### Tip

It is recommended with the 150e and 180e models to carry out these steps with two persons.

4. Place the log set as stated below and replace the glass in reversed order of step 1 to 3.

### Placing the logset

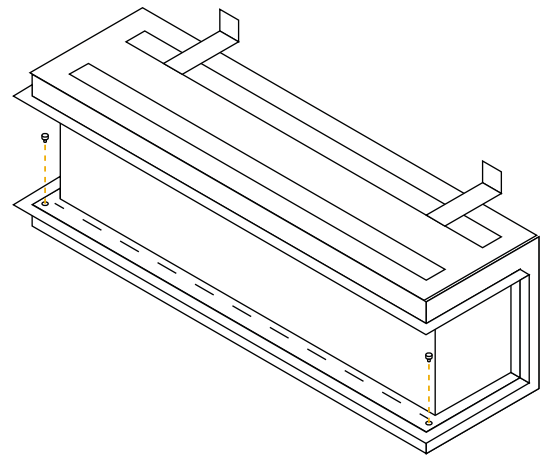
Every models is delivered standard with a European logset. The style and size of the set varies between models.

The logs can be arranged to personal preference and do not influence the flames or the proper functioning of the fire.

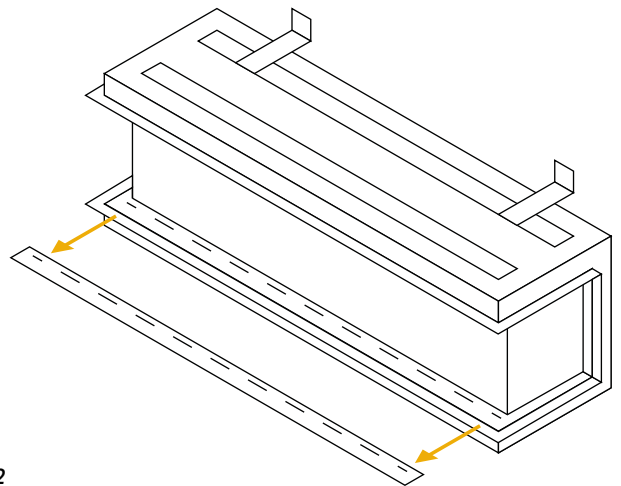
## 8 User Instructions

The Element4 electric fires can be used with the Element4 Electric fire application available on Android and iOS.

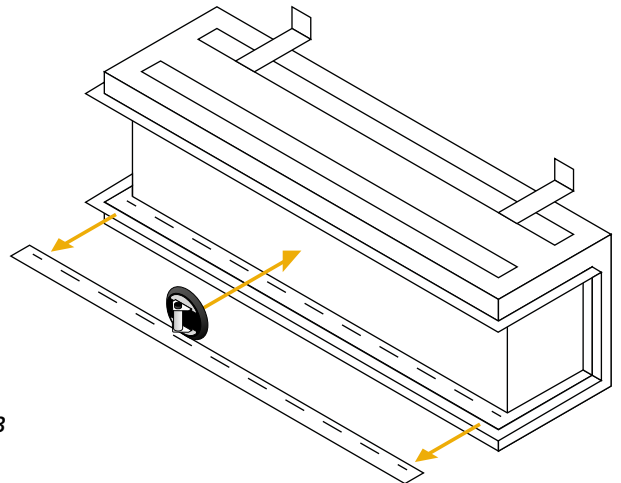
For a full instruction on how to use your electric fires we refer you to the user manual.



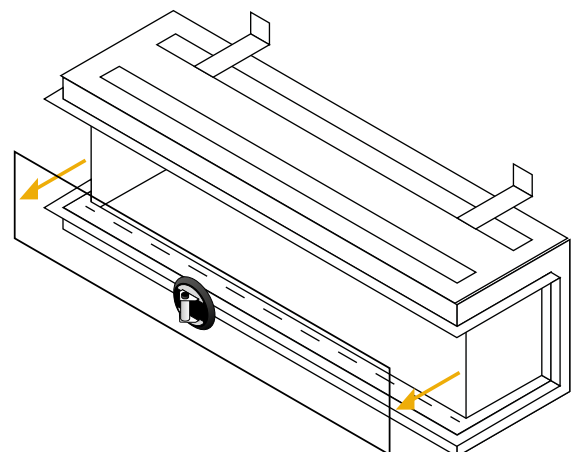
Step 1



Step 2

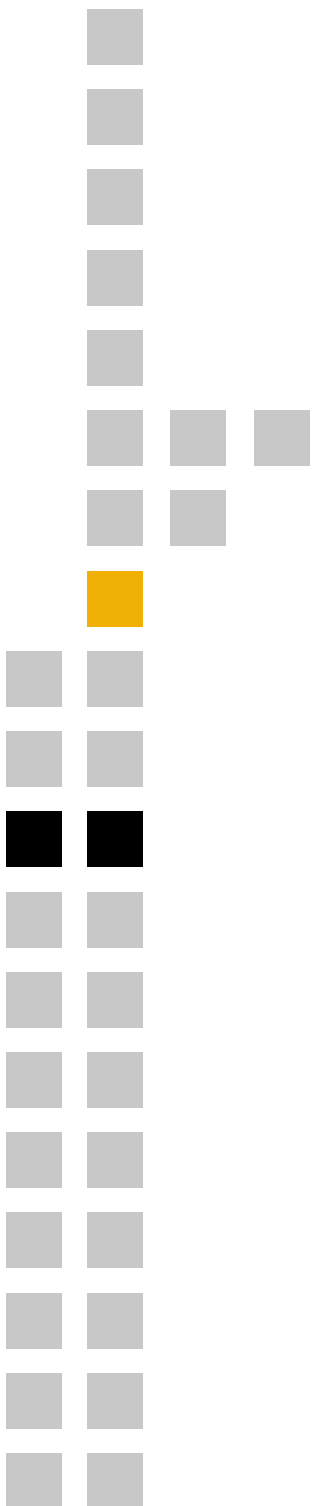


Step 3



Step 4





**ELEMENT 4 B.V.**

Paxtonstraat 23  
8013 RP Zwolle  
The Netherlands  
Info@element4.nl  
www.element4.nl

---

**AUGUST 2018**

