

ELEMENT 4

ELECTRIC FIRES



INSTALLATION MANUAL

For all "Element4 - Electric Fires"



LEAVE THESE INSTRUCTIONS WITH THE DEVICE

Content

1 CE statement	4
2 Warranty	4
3 Important safety information	5
4 Connection	5
5 Installation method	6
6 Hollow wall installation method	6
7 The One-Box System	8
8 Decorating the fireplace	10
9 User Instructions	10
10 Troubleshooting	11

1 CE statement

We hereby declare that the design and construction of the Element4 electric appliances are complying to the essential demands and regulations for electric products.

Product:

- Electric fire

Models:

- 50e
- 80He
- 80XHe
- 100e
- 150e
- 150He
- 180e

All Element4 Electric fires meet the requirements of the EC Directives. These directives have been met by compliance with the following standard

- EN 55014-1:2006 + A2:2011
- EN 55014-2:2015
- EN 61000-3-2:2014
- EN 61000-3-3:2013
- EN 60335-1:2012 + A1:2014
- EN 60335-2-30:2009+A11:2012

This declaration loses its validity when changes to the device are made without the written permission by Element4. You can ask for a copy of the test certificates of all models via our general e-mail adress, which is found on the back of this manual.



J. Kempers
CEO

2 Warranty

Should this device show defects within 24 months of purchase due to shortcomings in construction, material or workmanship, the product will be repaired free of charge under the following conditions:

It is the responsibility of the buyer to prove that the device is covered by the warranty, e.g. with a proof of purchase.

Any guarantee will lapse if

- unauthorized repairs or modifications have been made to the electric fireplace
- in the event of an accident, misuse or damage caused by an incorrect installation
- damage occurred during transport to or from the repairer, and changed or missing serial numbers.

Parts replaced under this warranty will become our property.

The company is not liable for consequential damage or any other damage arising from or related to this electric fireplace.

This warranty does not apply to heating elements, lamps or fuses. Service visits where no errors are found and installation errors are not covered by the manufacturer's warranty. In this case, the maintenance technician employed by us will charge you for the service visit.

This guarantee is an addition to and does not affect the legal rights of the buyer as a consumer.

Replacement plug

Caution: when removing the molded plug and connection to a fused tap through a unqualified person, the guarantee will lapse.

3 Important safety information

Please read these instructions before installation or use and keep this booklet handy for future reference

This appliance can be used by children aged from 8 years and above and persons with reduced physical, sensory or mental capabilities or lack of experience and knowledge if they have been given supervision or instruction concerning use of the appliance in a safe way and understand the hazards involved. Children shall not play with the appliance. Cleaning and user maintenance shall not be made by children without supervision

The instructions shall state that the heater must not be located immediately below a socket outlet.

WARNING

in order to avoid overheating, do not cover the heater. Children of less than 3 years should be kept away unless continuously supervised

Children aged from 3 years and less than 8 years shall only switch on/off the appliance provided that it has been placed or installed in its intended normal operating position and they have been given supervision or instruction concerning use of the appliance in a safe way and understand the hazards involved. Children aged from 3 years and less than 8 years shall not plug in, regulate and clean the appliance or perform user maintenance.

CAUTION

Some parts of this product can become very hot and cause burns. Particular attention has to be given where children and vulnerable people are present

General Warnings:

- Never leave children unsupervised with an unguarded heater.
- Never obstruct or cover the heater outlet.
- Never install or use this product where it may come in contact with water i.e. a bathroom or wet room.
- Never use aerosols or steam cleaners near this product.
- Never route the electric cable near the heater outlet.
- Never route the electric cable under carpets or floor coverings.
- Never install this product close to curtains or combustible materials.
- Never use the heater to dry clothes or other objects.
- Never remove the fireplace surrounding without isolating the electric supply.

4 Connection

This appliance must only be connected to a 230/240 Volts AC 50Hz supply. Before connecting the fire, check that the supply voltage is the same as stated on the fire.

This appliance must only be used on a AC supply, fuse rating 13Amp. The wires in the mains lead are coloured in accordance with a standard UK supply, these being:

- GREEN/YELLOW – EARTH
- BLUE – NEUTRAL
- BROWN – LIVE

As the colours of the mains lead of this appliance may not match the coloured markings used to identify the terminals in a plug, please observe the following

- The green and yellow wire must be connected to the terminal in the plug which is marked with the letter E or Earth symbol.
- The blue wire must be connected to the terminal in the plug which is marked with the letter N.
- The brown wire must be connected to the terminal in the plug marked with the letter L.
- Replace fuses only with fuses of the correct size and rating.

Maintenance

Maintenance to this device may only be done by a qualified professional. It is advised to maintain your fire at least once every 12 months.

WARNING:

Before repair or maintenance check whether the fire is unplugged.

4.1 Important electrical safety

This appliance must never be installed above or in front of a fixed electric socket.

The electrical socket must be easily accessible to isolate the supply during maintenance and cleaning.

This appliance is supplied with a two meter power lead, which has a 13Amp moulded three pin plug to connect to a standard 230/240V plug socket.

This appliance must always be earthed. If in any doubt consult a suitably competent person.

CAUTION

The LED light system shall be replaced by electrically competent personnel only (LP – These cannot be user replaceable since they will allow access to live parts)

NB: This fireplace may not be used as a primary heat source.

5 Installation method

Built in models

This product has been designed to be installed into a plaster board, or existing masonry chimney breast.

Please seek advice from a professional, with reference to the structural integrity of the installation site.

If the product is to be installed into a open chimney or flue, it is important that the chimney/flue is blocked off to prevent any up/down draughts and falling debris which could restrict and alter the airflow to the product.

It is also important to ensure that the product has a minimum internal clearance directly above and below the product of 50mm, this is to ensure that the product can circulate the required airflow for the heater unit.

The product should never be sealed into a opening with the use of silicones or adhesives as this can also alter the airflow and hinder any further servicing of the product

Heating shut-off protection

This protection protects the product against damage.

When the air circulation is impeded, the fire is switched off automatically. This can happen with incorrect installation of the fireplace, or blockages.

To reset the heating function:

- Remove the plug from the socket.
- Allow the product to cool.
- If the device has cooled down sufficiently, remove any blockages and check the installation.

After 10 minutes, the thermostat switch (trip protection) of the heater is reset.

Note:

Both the effect fan and the heating fan produce a soft sound that is associated with normal operation of the stove.

6 Hollow wall installation method

In all Element4 fireplaces, a free space of 100mm at least 50mm must be maintained immediately above and below the main housing for good air circulation. (Failure to do so may cause problems for the heating and flame function).

Each Element4 fireplace is supplied with one or more wall mounting brackets.

Determine the height at which the finished Element4 fireplace should be positioned in relation to the floor level.

Note:

The minimum distance to the floor is 300 mm

Attach the wall bracket to the wall, making sure that you use the correct fasteners that match the respective wall - hollow or solid.

Hang the Element4 fireplace on the bracket and secure it in place with the wall bracket at the top of the fireplace. Insert the plug of the IEC-compliant power cable into the IEC-compliant socket and ensure that it is firmly pushed.

Note:

Place the device near a suitable socket so that it can be connected to the mains.

It is important that the outlet is located outside the installation location so that the socket is easily accessible and the plug can be disconnected from the stove after installation. After the fire is attached to the wall and connected to the socket, the surround (the chimney) can be placed around it.

Construct the hollow installation space for the electric fire in the desired dimensions. For minimum opening dimensions, see Figure 1 and Table 1. It is important that you take into account the finished front when determining the depth of the frame construction.

It is important that a header/lintel is also placed at the desired height, so that the weight of the wall made will not come to rest on the appliance.

Make the cut in the plasterboard / finishing plate and install the fireplace, making sure that the plaster board edges connect to the inside of the cut in the plate.

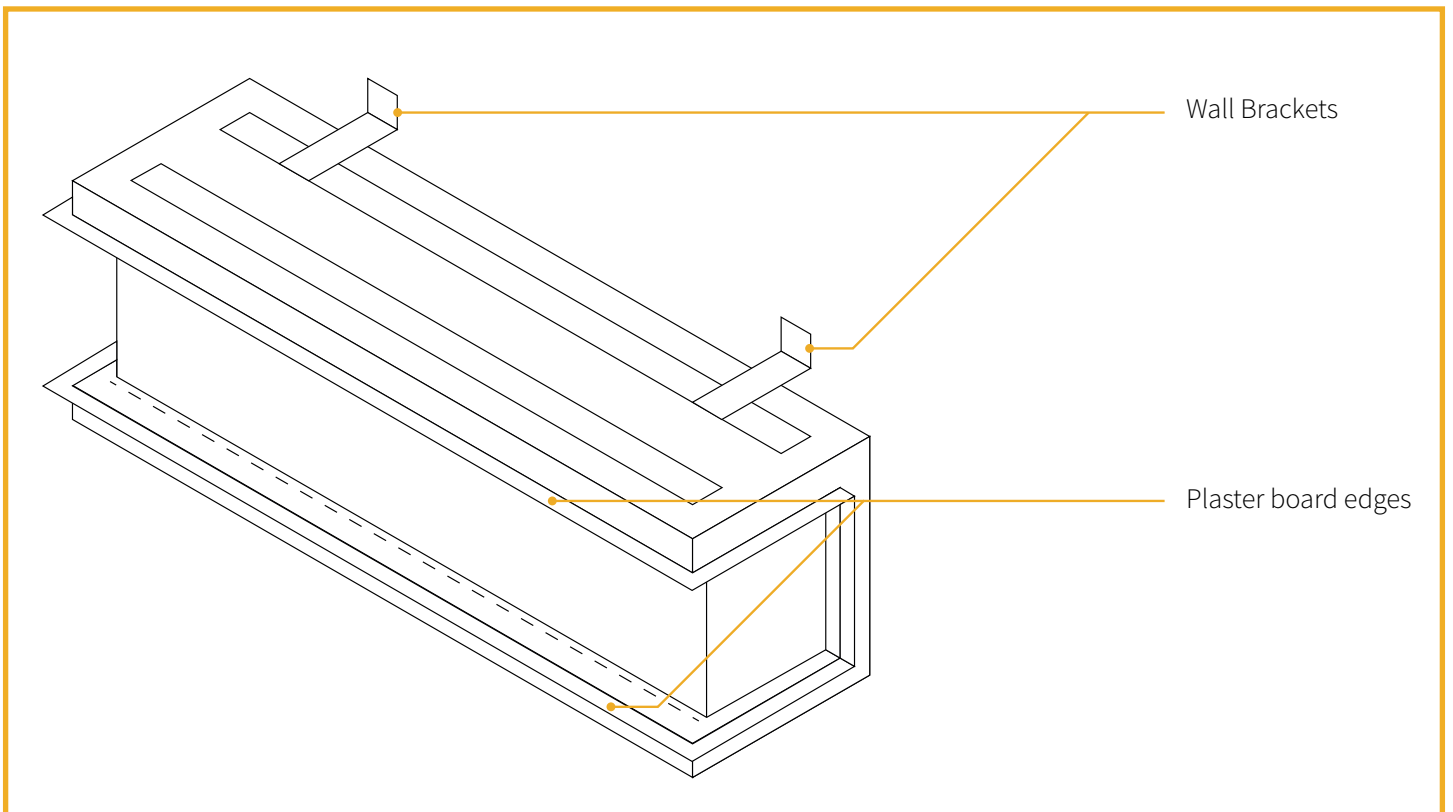
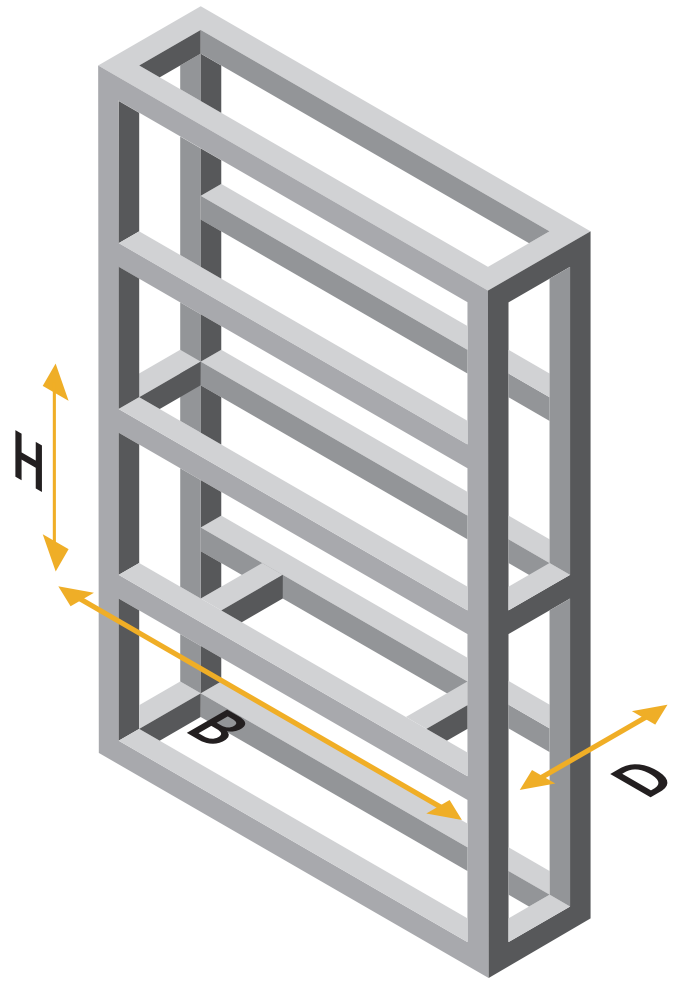
CAUTION

In order to avoid a hazard due to inadvertent resetting of the thermal cut-out, this appliance must not be supplied through an external switching device, such as a timer, or connected to a circuit that is regularly switched on and off by the utility.

INSTALLATION MANUAL

The definite opening dimensions after installation are in the table below

Model	Width (mm)	Depth (mm)	Height (mm)
50	495	305	610
80H	802	305	590
80XH	838.5	316	1209
100	1003	305	355
150	1505	305	355
150H	1538	316	808
180	1750	305	410



7 The One-Box System

Every Element4 electrical appliance is delivered to the customer according to the so-called one-box system. This means that the customer can choose from four configurations per fireplace type, depending on which sides of the fireplace have glass or not. These four models are respectively the front model, two corner models and a three-sided model.

This chapter explains the various steps with which the customer can put together the desired configuration. The fireplace is supplied as a three-sided model as standard.

Please note:

Check for the possible conversion of your fireplace first the contents of the box.

In the table on the right and on the next page see all the parts which are supplied in the box.

Part List

Make sure the following parts are included in the box.

ITEM	DESCRIPTION	Quantity
1	Side glass	2 off
2	Front glass	1 off
3	Plaster kit (3 off left side, 3 off right side)	6 off
4	Main housing	1 off
5	Front glass bottom support	1 off
6	Front glass bottom retainer	1 off
7	Front glass bottom retainer fixings	2 off
8	Fuel bed	1 off
9	Side glass top retainer (internal)	2 off
10	Side glass top retainer (internal) fixings	4 off
11	Plaster kit fixings	16 off
12	In-fill side piece fixings	16 off
13	In-fill right side	1 off
14	In-fill left side	1 off

Conversion steps

Step 1;

Removal of the front glass (item 2)

Remove the 2 off fixings (item 7) that secure the front glass bottom retainer (item 6) to the fuel bed (item 8).

Lift off the front glass retainer (item 7) and using the glass suckers supplied (not shown) carefully remove the front glass (item 2).

Step 2;

Removal of the side glass (item 1)

Remove the 2 off side glass top retainer brackets (item 9) by taking out the 4 off fixings (item 10). 2 off on each bracket.

NOTE: If one wishes to install a corner model of the Electric the steps need only be executed for the corner that is not supposed to stay glass.

Carefully tilt the side glass inwards at the top and lift it away from unit.

Step 3;

Removal of the plaster kit (item 3)

Remove the plaster kit fixings (item 11) using a phillips screw driver (not supplied)

Note: Ensure to keep fixings for future reference.

Remove the plaster kit (item 3) from both sides of the unit.

Step 4;

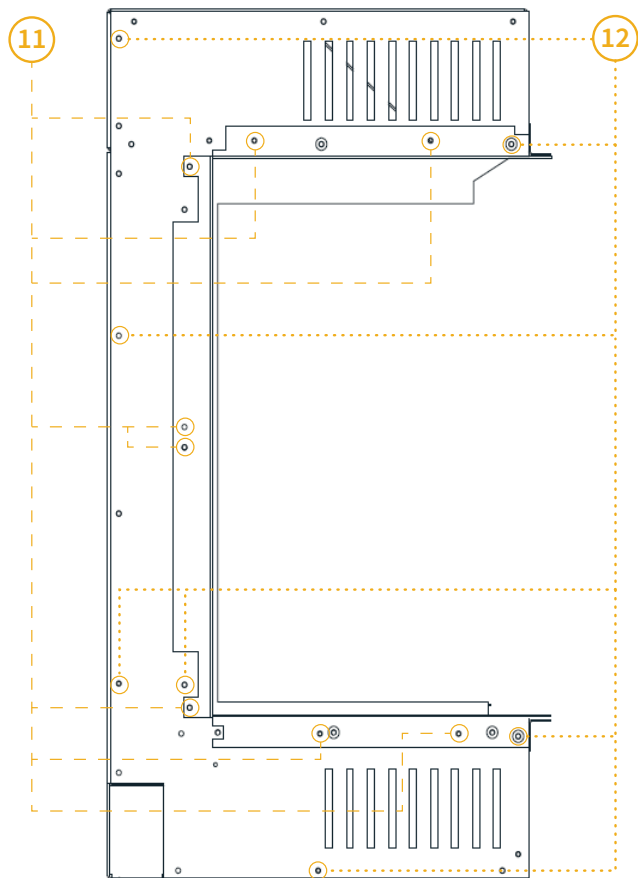
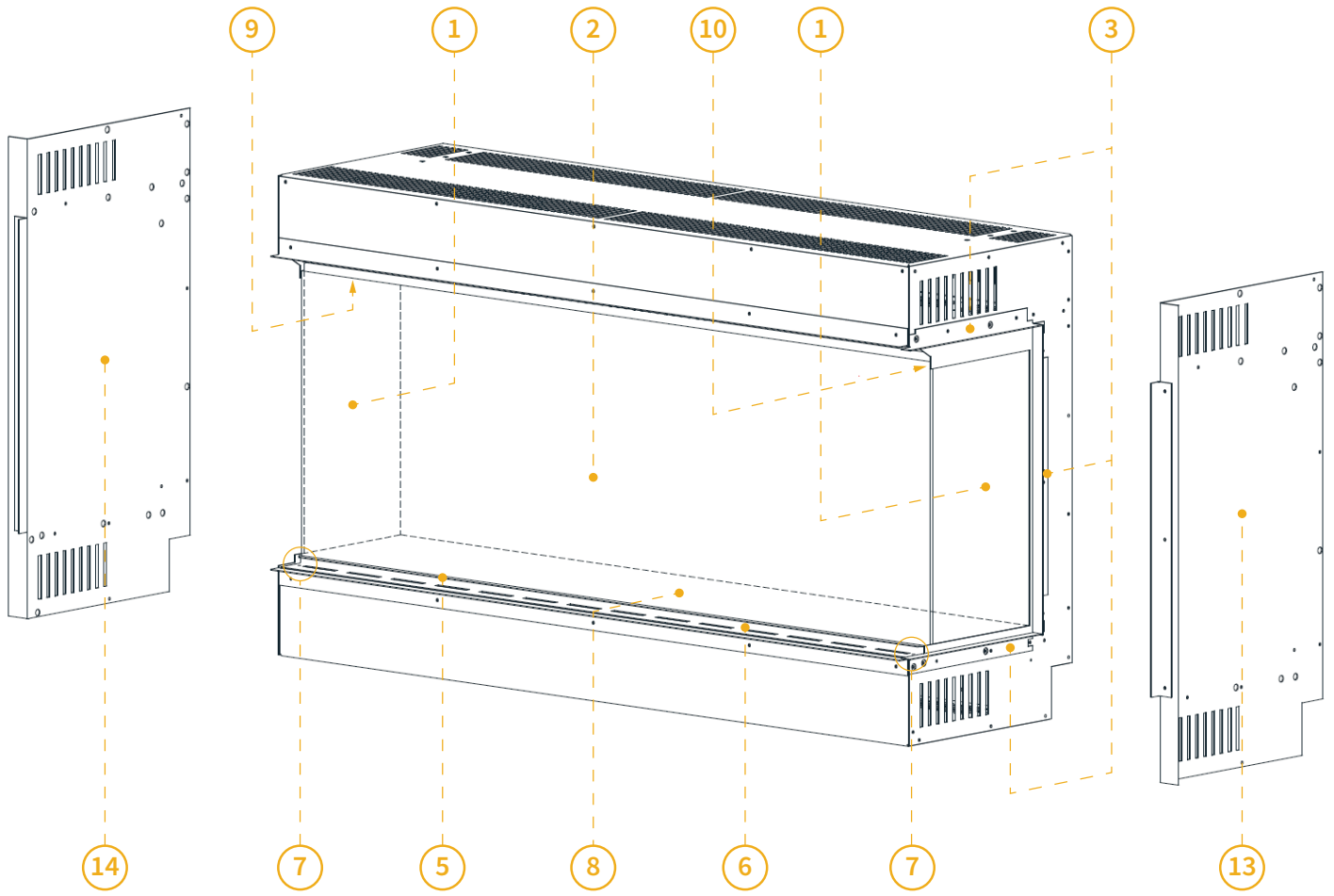
Fitting in the in-fill sides (item 13 and item 14)

Remove the In-fill side fixings (item 12)

Place the in-fill sides over the existing side pieces

Using the in-fill side fixings (item 12) together with the plaster kit fixings (item 11) that were removed in the previous step secure the left and right in-fill sides (item 13 and 14) to the unit.

INSTALLATION MANUAL



8 Decorating the fireplace

Removing glass front side

Follow the next steps for removing the glass front window and place the decorative logset.

1. Remove the two screws located in the bottom glass retaining bar.
2. Remove the bottom glass retaining bar.
3. Remove the glass by pulling the second retaining bar away from the body of the fire, ensure that the glass is supported at all times.

Suction cup

A suction cup is provided to help aid this step. Please note the suction cup is not to hold the full weight of the glass.

Tip

It is recommended with the 150e and 180e models to carry out these steps with two persons.

4. Place the log set as stated below and replace the glass in reversed order of step 1 to 3.

Placing the logset

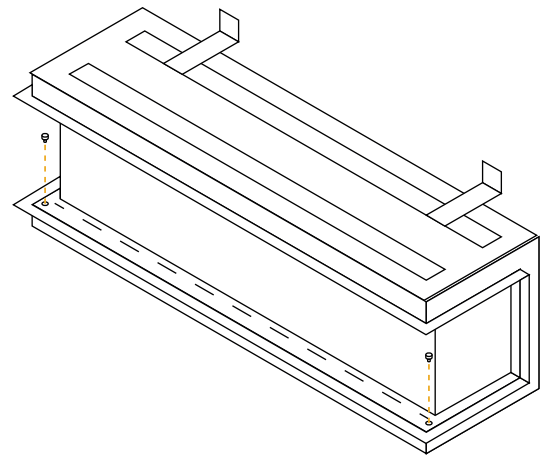
Every models is delivered standard with a European logset. The style and size of the set varies between models.

The logs can be arranged to personal preference and do not influence the flames or the proper functioning of the fire.

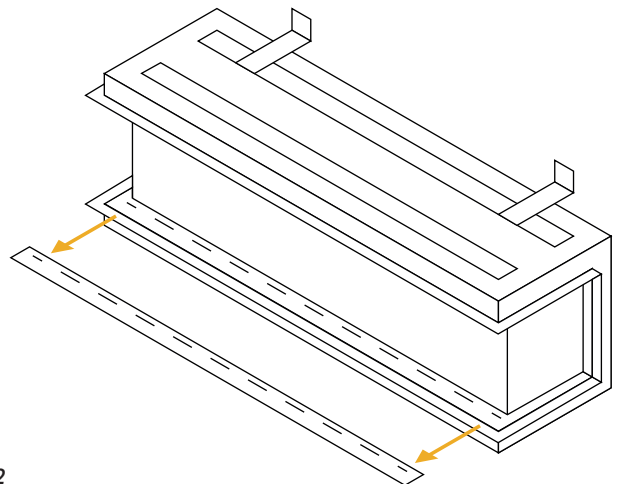
9 User Instructions

The Element4 electric fires can be used with the Element4 Electric fire application available on Android and iOS.

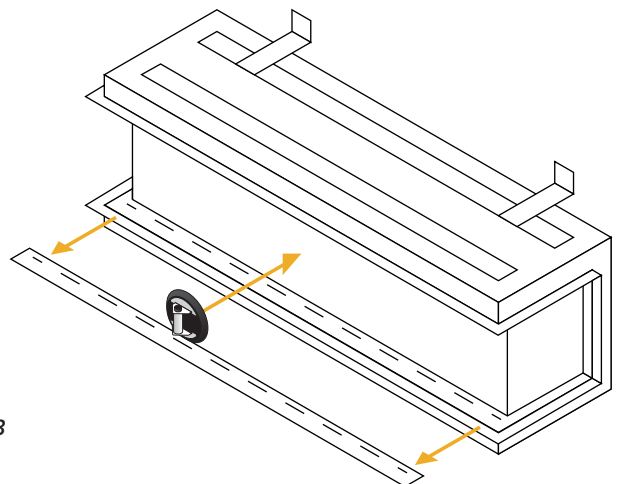
For a full instruction on how to use your electric fires we refer you to the user manual.



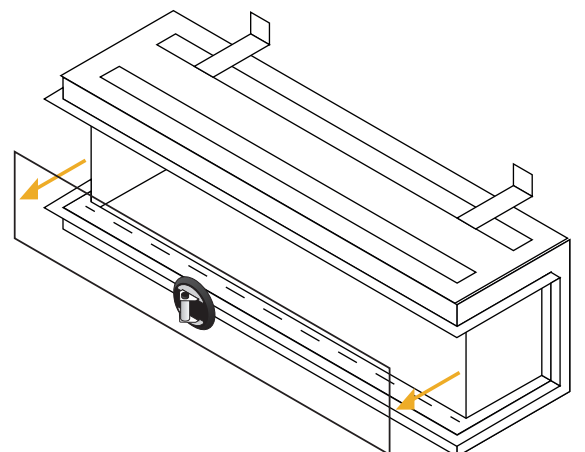
Step 1



Step 2



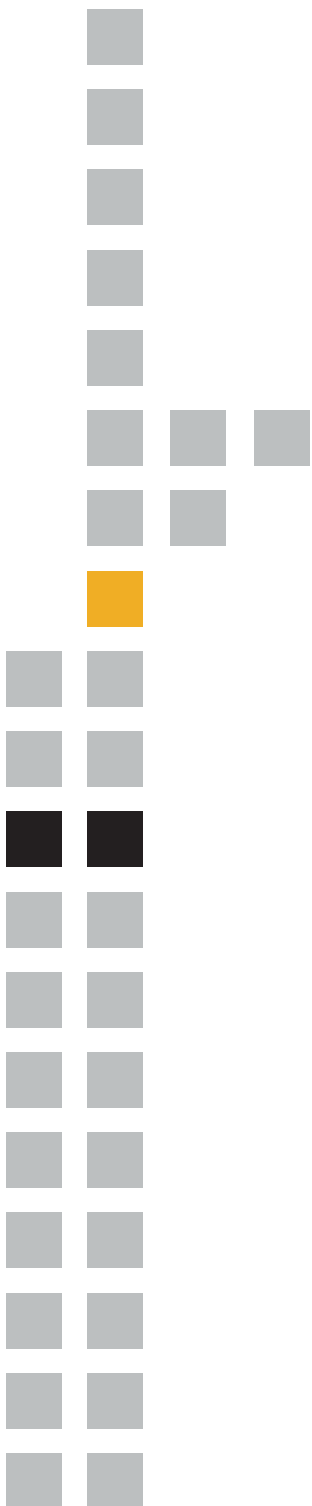
Step 3



Step 4

10 Troubleshooting

Problem	Possible Cause	Solution
Flames not working correctly	Ribbons are statically connected to glass.	Spray some anti-static spray beneath the tray.
	Installation airflow restricted.	Check the correct aperture has been adhered to when installing— Recommended clearance is 100mm.
	Blower clogged.	Fan requires cleaning out.
	Slow fan.	Fan requires cleaning out. If problem persists, replacement fan may be required.
Heater blowing cold	Possible installation gaps/Chimney not adequately blocked off.	Chimney may not be fully blocked. Correct aperture has not been adhered to—100mm
	Fan clogged.	Heater fan requires cleaning out
	Faulty element.	Replace element
	Slow fan.	Check fan placement. If problem persists replacement fan may be required.
Noisy Heater	Fan unbalanced.	Adjust fan to stop catching on the case. If problem persists replacement fan unit maybe required.
	Fan catching on housing.	Adjust fan to stop catching on the case
	Fan clogged.	Fan requires cleaning out. If problem persists a replacement fan may be required.
	Fan has come loose.	Tighten fan cradle or screws holding fan onto fan cradle.
Heater coming on randomly	Timer has been accidentally set.	Double check timer settings.
	Thermostat faulty.	Replace PCB.
LED streaking	LED dropped down.	LED needs to be re-stuck into place.
	Log positioning.	Change log positioning to hide any direct view of LED strip.
Heater cutting out	Build up of hot air triggering heater cut-out unit.	Ensure the appliance has the required aperture for air to circulate and prevent build-up. Recommended 100mm



ELEMENT 4 B.V.

Paxtonstraat 23
8013 RP Zwolle
The Netherlands
Info@element4.nl
www.element4.nl

20/01/20

